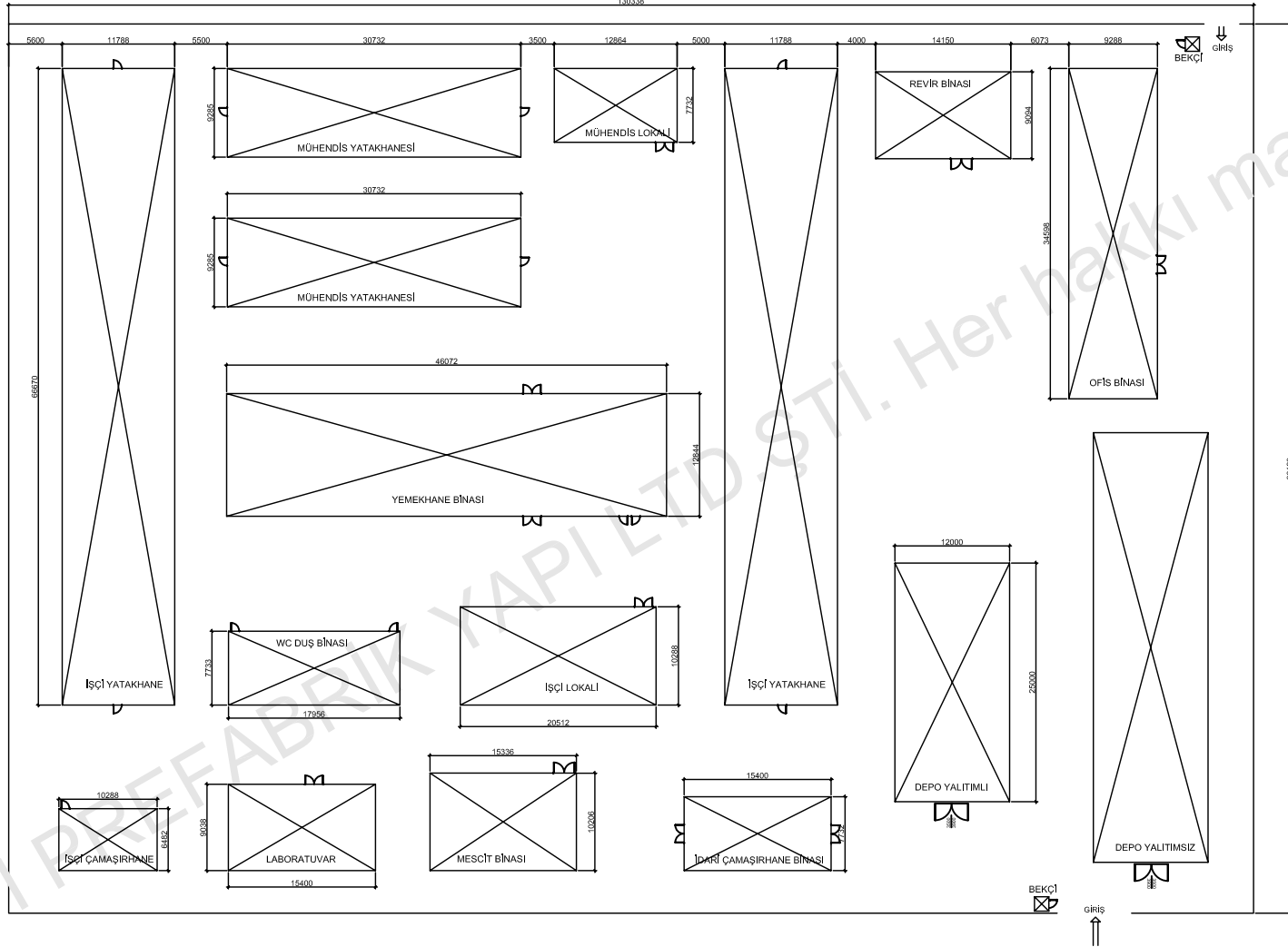


# 500 mancamp



**P r e f i**

PREFABRİK YAPI END. BİLİŞİM ve TİCARET LTD.ŞTİ.  
Ankara - İstanbul Karayolu, 30. km  
Akıncı Kavşağı, Kazan 06980 Ankara  
Tel: +90(312) 815 49 75 (Pbx) Fax: +90(312) 815 49 78  
www.Prefi.com.tr e-posta: prefi@prefi.com.tr

ÇİZEN:  
DRAWN:

KONTROL:  
CHK:

ONAYLAMA:  
APPROVAL: H.V.Y.

FİRMA /COMPANY:

500 KİŞİLİK GLV-BET KAMP

TARİH/DATE:

XX.XX.2010

BAŞLIK /TITLE:

KAMP YERLEŞİM PLANI

m<sup>2</sup>

REFERANS:

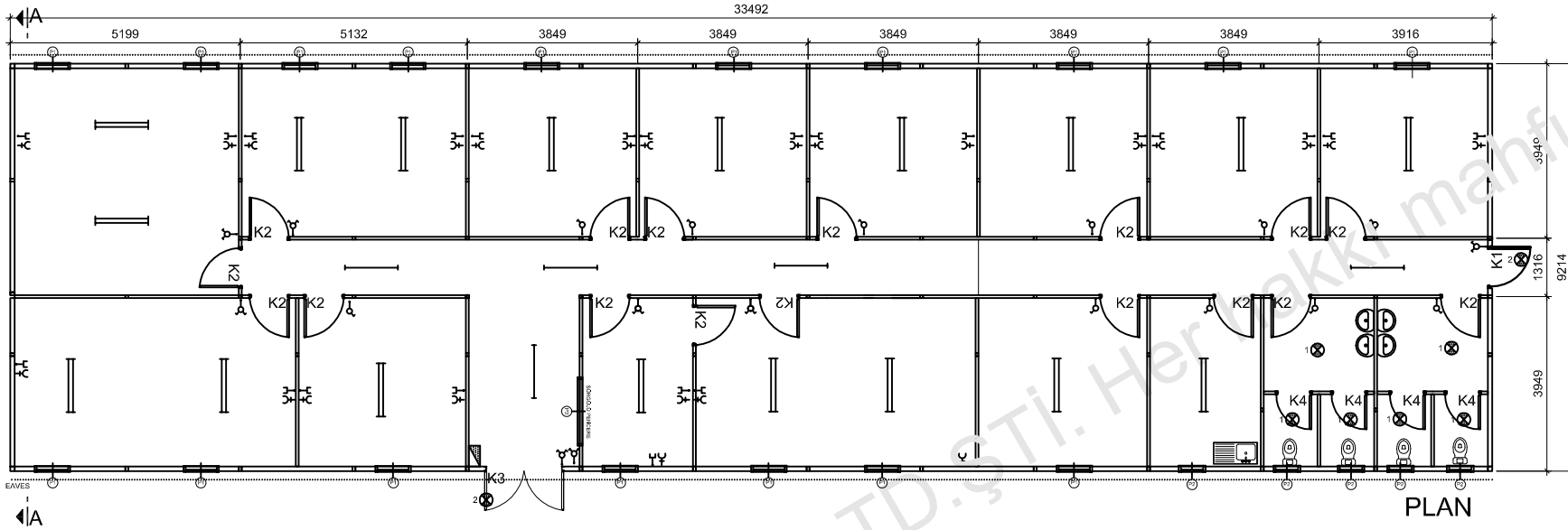
TM1001/00..

REV.NO:

REV 00

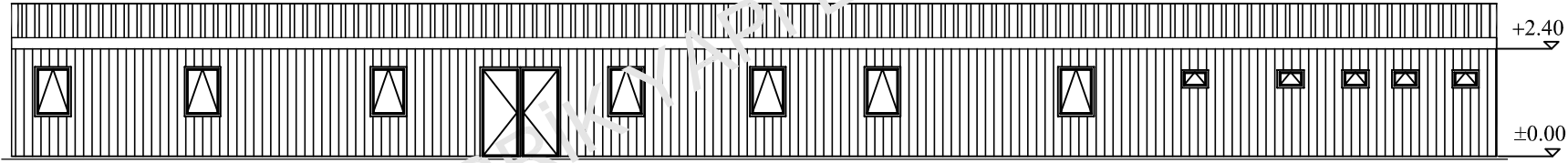
SAYFA /PAGE:

# 500 mancamp



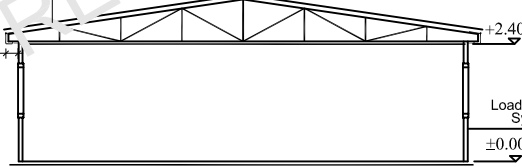
P1	WINDOW	800 X 1100
P2	WINDOW	800 X 400
K1	EX. DOOR	850 X 2000
K2	IN. DOOR	840 X 2000
K3	EX. DOOR	1700 X 2000
K4	WC DOOR	740 X 1990
K5	IN. DOOR	1700 X 2000
K6	EX. DOOR	1250 X 2000
K8	FENCE DOOR	750 X 2000
	SWITCH	
	DOUBLE SWITCH	
	1 X 40 TMS ARMATURE	
	2 X 40 TMS ARMATURE	
	4 X18 PAROBOLIC ARMATURE	
	LATERAL EARTH SOCKET	
	TELEPHONE LINE	
	UPS	
	TV LINE	
	NETWORK LINE	
	C TYPE GLOBE	
	C TYPE GLOBE WITH WIRE GUARD	
	(220V) SURFACE MOUNTING FUSE BOX	
	SMOKE DEECTOR	
ALL MEASURED IN MILLIMETERS		

PLAN



VIEW

- 0.50 mm. Trapezoidal Galvanized steel sheet
- Galvanized Steel Purlin
- Galvanized Rafter
- 100mm. 14 kg/m<sup>3</sup> Glasswool Insulation
- White Viny Coated Gypsum Board



A-A SECTION

- External Surfaces 0.70 mm Thickness Coil-coated Painted PVC Film Coated Galvanize Steel.
- 80 mm. 14 kg/m<sup>3</sup> Thickness Glasswool
- Galvanized Specialty C/U Formed Profiles
- Internal Wall Clad 8 mm Thickness Cement Bounded Particular Panel/Fiber Cement Panel

Load-Bearing System

**P r e f i**

PREFABRİK YAPI END. BİLİŞİM ve TİCARET LTD.ŞTİ.  
Ankara - İstanbul Karayolu, 30. km  
Akıncı Kavşağı, Kazan 06980 Ankara  
Tel:+90(312) 815 49 75(Pbx) Fax:+90(312) 815 49 78  
www.Prefi.com.tr e-posta: pref@prefi.com.tr

ÇİZEN:  
DRAWN: E.Ç..

KONTROL:  
CHK:

ONAYLAMA:  
APPROVAL: H.V.Y.

FİRMA /COMPANY:  
**1000 PER.CAMP**

TARİH/DATE:

BASLIK /TITLE:  
**OFFICE BULDING**

m<sup>2</sup>

308.59m<sup>2</sup>

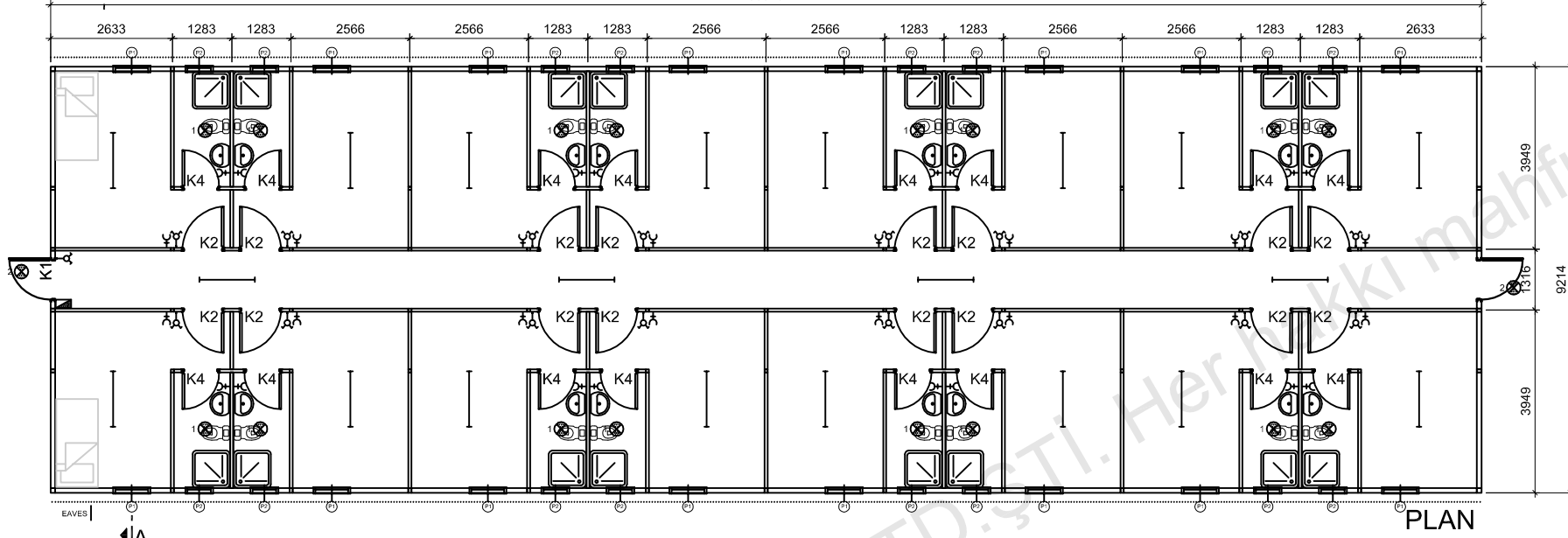
REFERANS NO:

PROJE NO:

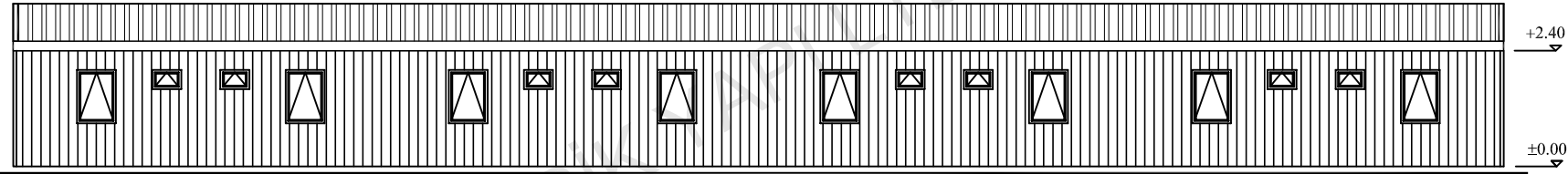
SAYFA /PAGE:

2 UNITS  
500 mancamp

30926

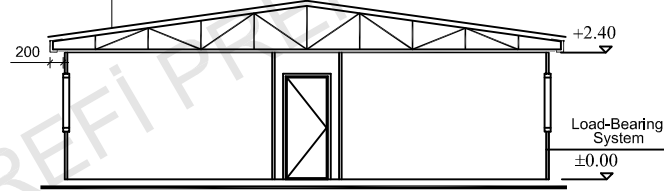


PLAN



VIEW

- 0,50 mm. Trapezoidal Galvanized steel sheet
- Galvanized Steel Purlin
- Galvanized Rafter
- 100mm. 14 kg/m<sup>3</sup> Glasswool Insulation
- White Vinly Coated Gypsum Board



A-A SECTION

- External Surfaces 0,70 mm Thickness Coil-coated Painted PVC Film Coated Galvanize Steel.
- 80 mm. 14 kg/m<sup>3</sup> Thickness Glasswool
- Galvanized Specially C/U Formed Profiles
- Internal Wall Clad 8 mm Thickness Cement Bounded Particular Panel /Fiber Cement Panel

P1	WINDOW	800 X 1100
P2	WINDOW	600 X 400
K1	EX. DOOR	850 X 2000
K2	IN. DOOR	840 X 2000
K3	EX. DOOR	1700 X 2000
K4	WC DOOR	740 X 1990
K5	IN. DOOR	1700 X 2000
K6	EX. DOOR	1250 X 2000
K8	FENCE DOOR	750 X 2000
SW	SWITCH	
DSW	DOUBLE SWITCH	
1X40	1 X 40 TMS ARMATURE	
2X40	2 X 40 TMS ARMATURE	
4X18	4 X 18 PAROBOLIC ARMATURE	
LES	LATERAL EARTH SOCKET	
TEL	TELEPHONE LINE	
UPS	UPS	
TV	TV LINE	
NET	NETWORK LINE	
C	C TYPE GLOBE	
CW	C TYPE GLOBE WITH WIRE GUARD	
SM	(220V)SURFACE MOUNTING FUSE BOX	
SD	SMOKE DEECTOR	
ALL MEASURED IN MILLIMETERS		

**P r e f i**  
 PREFABRİK YAPI END. BİLİŞİM ve TİCARET LTD.ŞTİ.  
 Ankara - İstanbul Karayolu, 30. km  
 Akıncı Kavşağı, Kazan 06980 Ankara  
 Tel:+90(312) 815 49 75(Pbx) Fax:+90(312) 815 49 78  
 www.Prefi.com.tr e-posta: pref@prefi.com.tr

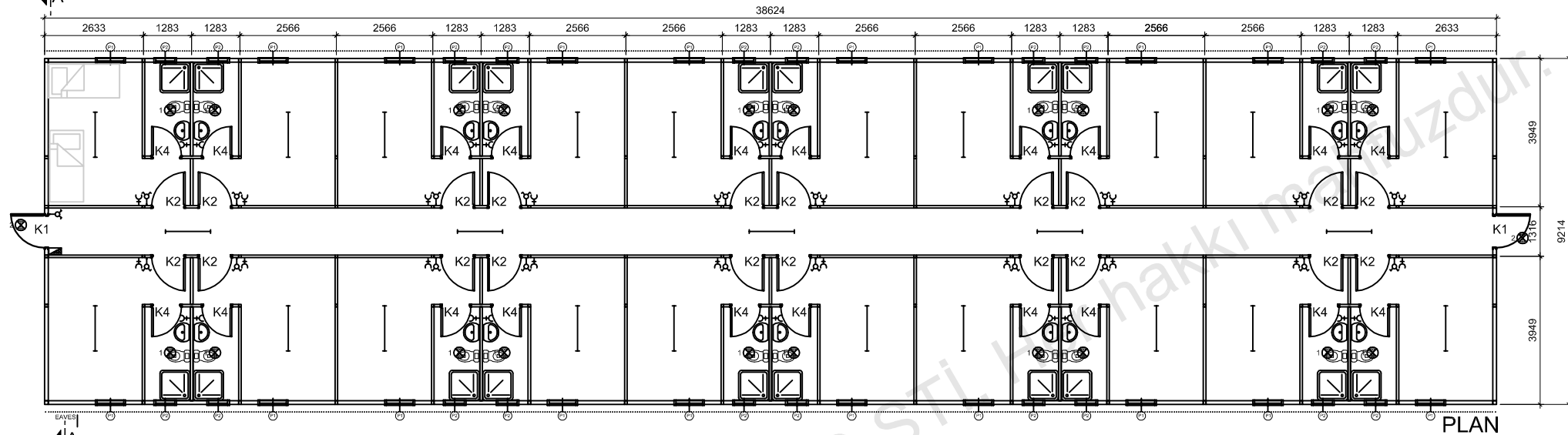
ÇİZEN:  
DRAWN: E.Ç..  
 KONTROL:  
CHK:  
 ONAYLAMA:  
APPROVAL: H.V.Y.

FİRMA /COMPANY:  
**1000 PER.CAMP**  
 TARİH/DATE:

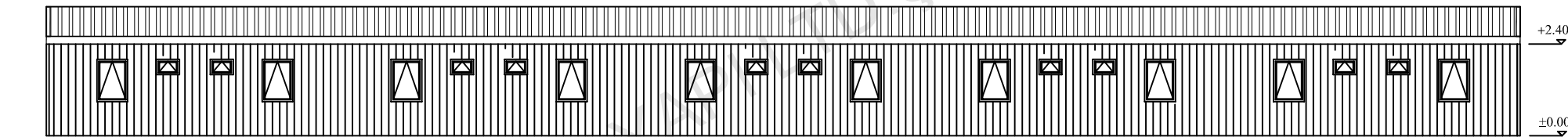
BASLIK /TITLE:  
**16 PER. ENGINEER DORMITORY**  
 REFERANS NO: PROJE NO: SAYFA /PAGE:

m<sup>2</sup>  
282.92m<sup>2</sup>

2 UNITS  
500 mancamp

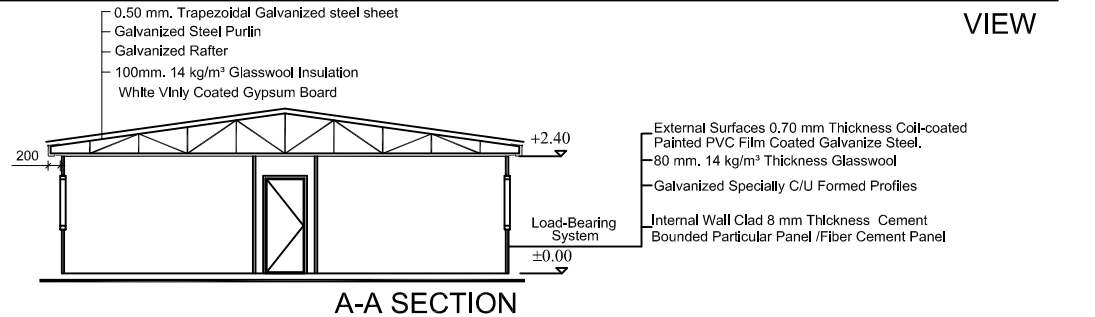


PLAN



VIEW

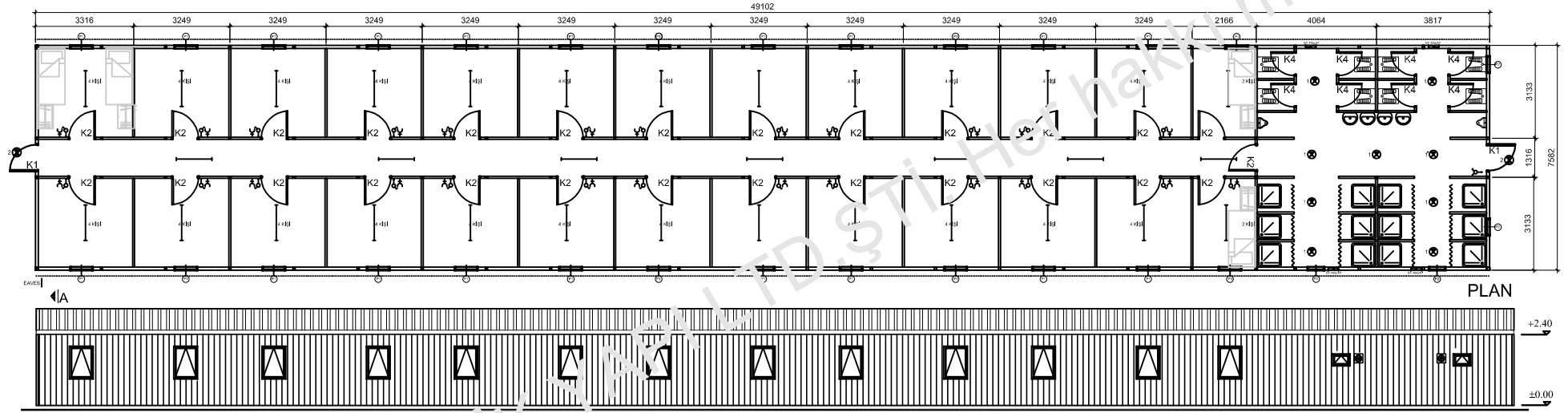
P1	WINDOW	800 X 1100
P2	WINDOW	600 X 400
K1	EX. DOOR	850 X 2000
K2	IN. DOOR	840 X 2000
K3	EX. DOOR	1700 X 2000
K4	WC DOOR	740 X 1990
K5	IN. DOOR	1700 X 2000
K6	EX. DOOR	1250 X 2000
K8	FENCE DOOR	750 X 2000
⊕	SWITCH	
⊕	DOUBLE SWITCH	
—	1 X 40 TMS ARMATURE	
—	2 X 40 TMS ARMATURE	
—	4 X 18 PARABOLIC ARMATURE	
⊕	LATERAL EARTH SOCKET	
—	TELEPHONE LINE	
—	UPS	
—	TV LINE	
—	NETWORK LINE	
⊕	C TYPE GLOBE	
⊕	C TYPE GLOBE WITH WIRE GUARD	
⊕	(220V) SURFACE MOUNTING FUSE BOX	
●	SMOKE DECECTOR	
ALL MEASURED IN MILLIMETERS		



A-A SECTION

<p>PREFABRİK YAPI END. BİLİŞİM ve TİCARET LTD.ŞTİ. Ankara - İstanbul Karayolu, 30. km Akıncı Kavşağı, Kazan 06980 Ankara Tel:+90(312) 815 49 75(Pbx) Fax:+90(312) 815 49 78 www.Prefi.com.tr e-posta: pref@pref.com.tr</p>	<p>ÇİZEN: E.Ç..</p> <p>KONTROL: CHK:</p> <p>ONAYLAMA: H.V.Y.</p>	<p>FİRMA /COMPANY: 1000 PER.CAMP</p> <p>TARİH/DATE:</p>	<p>BASLIK /TITLE: 40 PER. STAFF DORMITORY</p> <p>REFERANS NO:</p> <p>PROJE NO:</p> <p>SAYFA /PAGE:</p>	<p>m<sup>2</sup></p> <p>355.88 m<sup>2</sup></p>
	<p>F.MI.06/C YAYIN TARİHİ : 01/08/2001 REVİZYON TARİHİ : 31/12/2012</p>			

6 UNITS  
500 mancamp



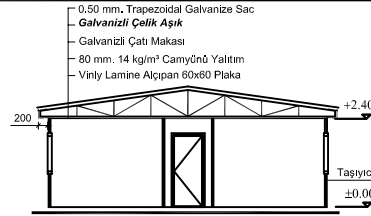
PLAN

VIEW

P1	PENCERE	800 X 1100
P2	PENCERE	600 X 400
K1	DIŞ KAPI	850 X 2000
K2	İÇ KAPI	840 X 2000
K3	ÇİFT DIŞ KAPI	1700 X 2000
K4	WC KAPI	740 X 1990
K5	ÇİFT İÇ KAPI	1700 X 2000
K6	DIŞ KAPI	1250 X 2000
K7	İÇ KAPI	1250 X 2000

ANAHTAR
KOMÜTATOR
1 X 36 FLORESAN ARM.
2 X 36 FLORESAN ARM.
4 X 18 PARABOL ARM.
TOPRAKLI RİZ
TELEFON PR.
UPS PRİZ
TV PRİZ
NETWORK PRİZ
C TİPİ ARM
C TİPİ ARM (KAFESLİ)
SİGORTA KUTUSU
DUMAN DEDEKTÖRÜ

Aksel belirtilmedikçe tüm ölçüler mm.dir.



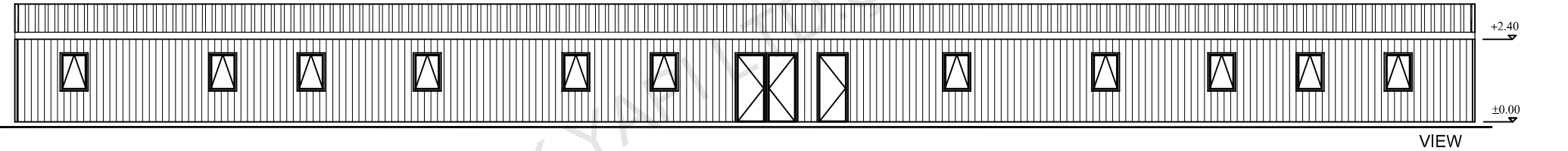
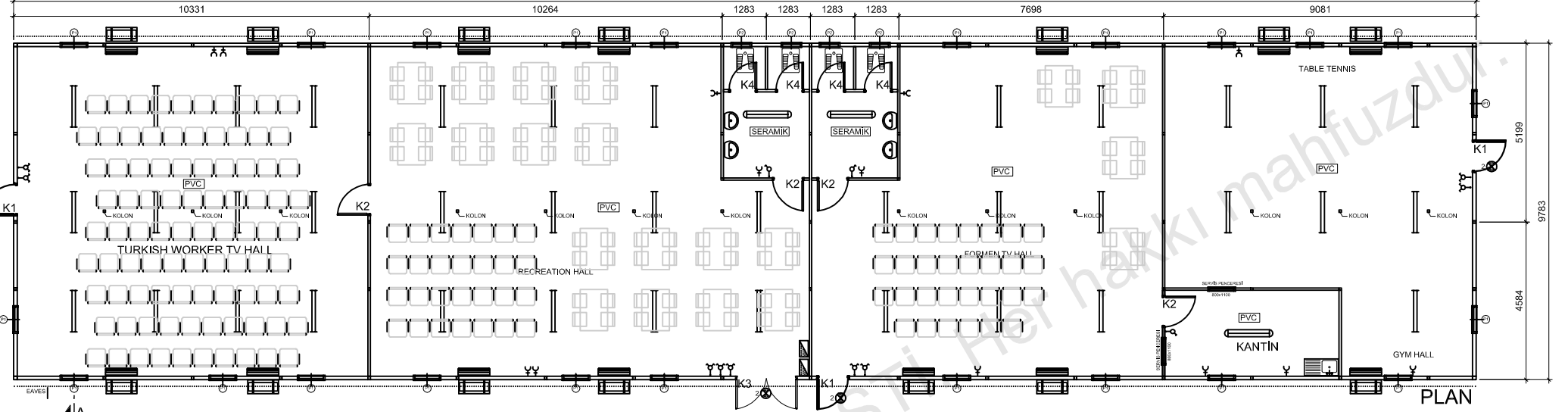
A-A KESİTİ

- 0.50 mm. Trapezoidal Galvanize Sac
- Galvanizli Çelik Aşık
- Galvanizli Çatı Makası
- 80 mm. 14 kg/m<sup>2</sup> Camyünü Yalıtım
- Vinyl Lamine Alçıpan 60x60 Plaka

- Diş Kaplama 0.70 mm Kalınlığında Özel Şekillendirilmiş
- Coil-coated Boyalı
- PVC Film Kaplı Galvanize Sac
- 50 mm. 14 kg/m<sup>2</sup> Camyünü Yalıtım
- 50 mm. Özel Büküm Galvanizli Çelik Karkas
- İç Kaplama 8 mm Kalınlığında
- Her İki Yüzeyle Lamine Edilmiş
- Beyaz-Beyaz Suntaletim Levha

<p><b>Prefi</b></p> <p>PREFABRİK YAPI END. BİLİŞİM ve TİCARET LTD.ŞTİ. Ankara - İstanbul Karayolu, 30. km Akıncı Kavşağı, Kazan 06980 Ankara Tel:+90(312) 815 49 75(Pbx) Fax:+90(312) 815 49 78 www.Prefi.com.tr e-posta: pref@prefi.com.tr</p>	<p>ÇİZEN: E.Ç.</p> <p>DRAWN: E.Ç.</p>	<p>FİRMA /COMPANY:</p> <p><b>1000 PER.CAMP</b></p>	<p>BASLIK /TITLE:</p> <p><b>WORKERS DORMITORY</b></p>	<p>m<sup>2</sup></p> <p>372.29m<sup>2</sup></p>
	<p>KONTROL: CHK:</p> <p>ONAYLAMA: APPROVAL: H.V.Y.</p>	<p>TARİH/DATE:</p>	<p>REFERANS NO:</p>	<p>PROJE NO:</p>

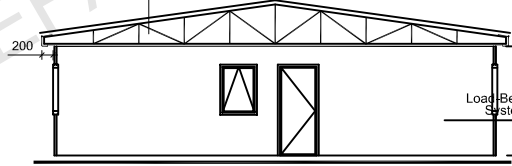
# 500 mancamp



P1	PENCERE	800 X 1100
P2	PENCERE	600 X 400
K1	DIŞ KAPI	850 X 2000
K2	İÇ KAPI	840 X 2000
K3	ÇİFT DIŞ KAPI	1700 X 2000
K4	WC KAPI	740 X 1990
K5	ÇİFT İÇ KAPI	1700 X 2000
K6	DIŞ KAPI	1250 X 2000
K7	İÇ KAPI	1250 X 2000
⊕	ANAHTAR	
⊕	KOMÜTATÖR	
—	1 X 36 FLORESAN ARM.	
—	2 X 36 FLORESAN ARM.	
—	1 X 36 ETANJ TİP FLSN. ARM.	
—	4 X18 PARABOLİK ARM.	
—	TOPRAKLI PRİZ	
—	TELEFON PRİZ	
—	UPS PRİZ	
—	TV PRİZ	
—	NETWORK PRİZ	
—	C TİPİ ARM	
—	C TİPİ ARM (KAFESLİ)	
—	SİGORTA KUTUSU	
—	DUMAN DEDEKTÖRÜ	

Aksi belirtilmedikçe tüm ölçüler mm.dir.

0,50 mm. Trapezoidal Galvanized steel sheet  
Galvanized Steel Purlin  
Galvanized Rafter  
100mm. 14 kg/m<sup>3</sup> Glasswool Insulation  
White Vinyl Coated Gypsum Board



External Surfaces 0,70 mm Thickness Coil-coated Painted PVC Film Coated Galvanize Steel.  
80 mm. 14 kg/m<sup>3</sup> Thickness Glasswool  
Galvanized Specially C/U Formed Profiles  
Internal Wall Clad 8 mm Thickness Cement Bounded Particular Panel/Fiber Cement Panel

**Prefi**  
PREFABRİK YAPI END. BİLİŞİM ve TİCARET LTD.ŞTİ.  
Ankara - İstanbul Karayolu, 30. km  
Akıncı Kavşağı, Kazan 06980 Ankara  
Tel:+90(312) 815 49 75(Pbx) Fax:+90(312) 815 49 78  
www.Prefi.com.tr e-posta: prefi@prefi.com.tr

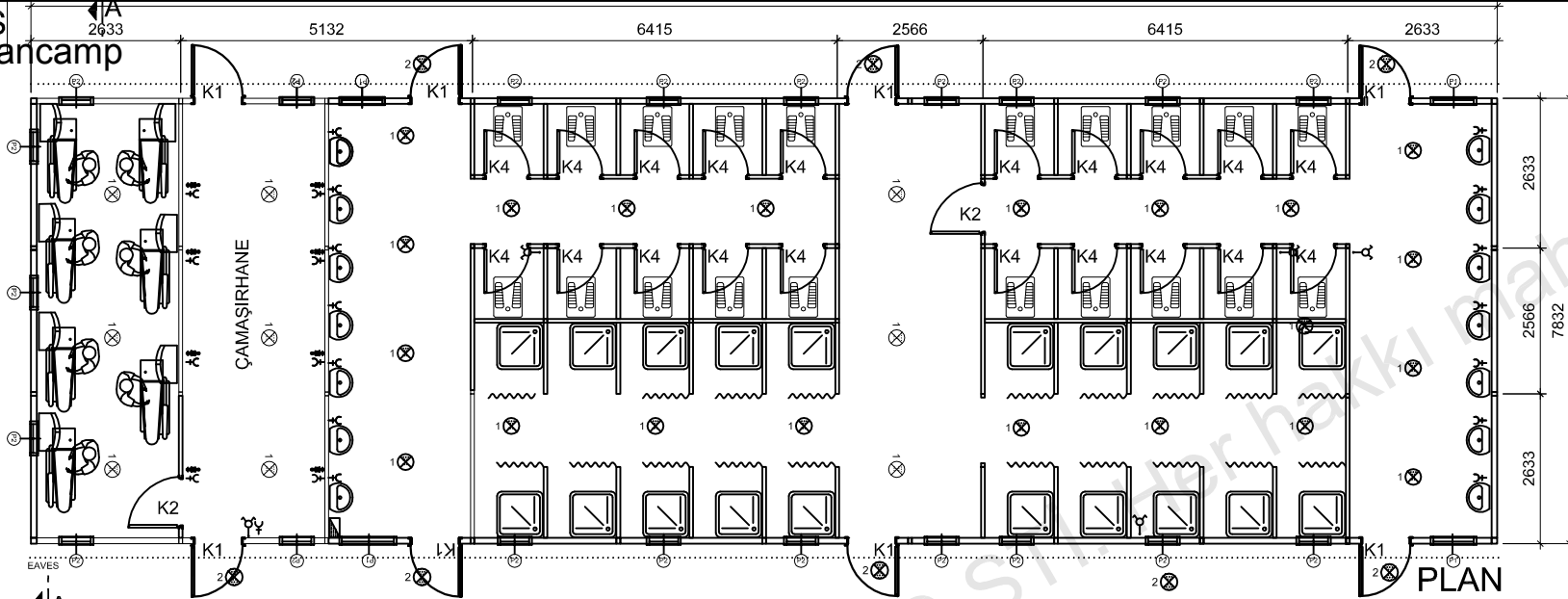
ÇİZEN:  
DRAWN: S.K  
KONTROL:  
CHK:  
ONAYLAMA:  
APPROVAL: H.V.Y.

FİRMA /COMPANY:  
**1000 PER.CAMP**  
TARİH/DATE:

BAŞLIK /TITLE:  
**RECREATION FOR WORKERS / FORMEN**  
REFERANS NO:  
PROJE NO:  
SAYFA /PAGE:

m<sup>2</sup>  
415.83 m<sup>2</sup>

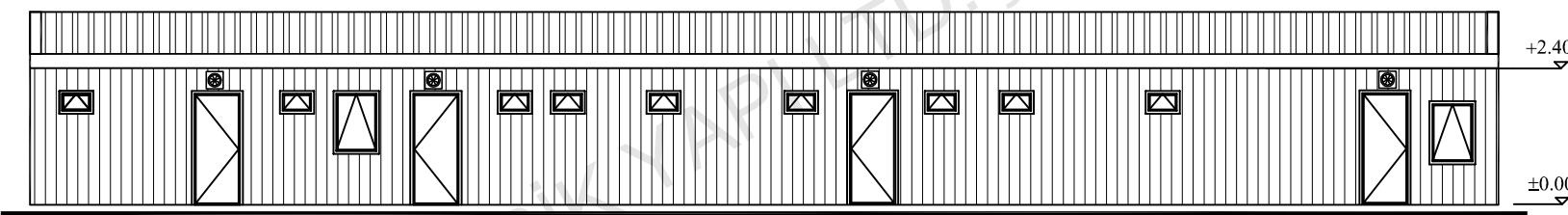
2 UNITS  
500 marcamp



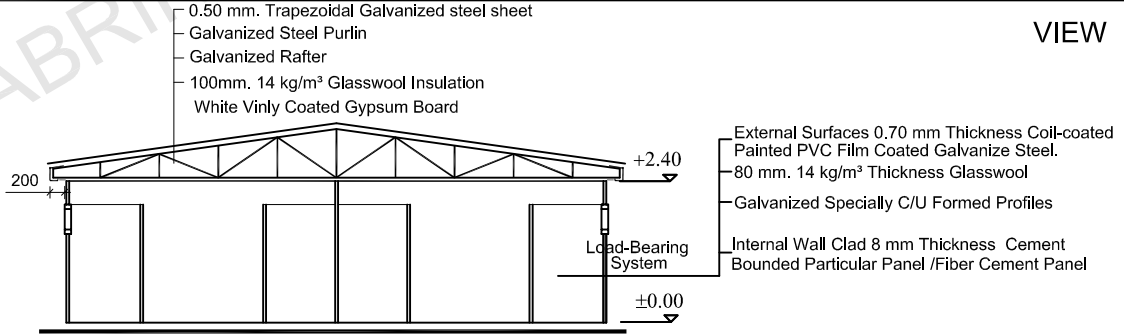
P1	SÜRGÜLÜ PENCERE	1500 X 1100
P2	PENCERE	600 X 400
P3	PENCERE	2000 X 1100
K1	DIŞ KAPI	850 X 2000
K2	İÇ KAPI	840 X 2000
K3	ÇİFT DIŞ KAPI	1700 X 2000
K4	WC KAPI	740 X 1990
K5	ÇİFT İÇ KAPI	1680 X 2000
K6	DIŞ KAPI	1250 X 2000
K7	İÇ KAPI	1250 X 2000
	ANAHTAR	
	KOMÜTATÖR	
	1 X 36 FLORESAN ARM.	
	2 X 36 FLORESAN ARM.	
	4 X 18 PARABOLİK ARM.	
	+C TOPRAKLI PRİZ	
	TELEFON PRİZ	
	UPS PRİZ	
	TV PRİZ	
	NETWORK PRİZ	
	C TİPİ ARM	
	2 C TİPİ ARM (KAFESLİ)	
	SİGORTA KUTUSU	
	DUMAN DEDEKTÖRÜ	

Aksi belirtilmedikçe tüm ölçüler mm.dir.

PLAN



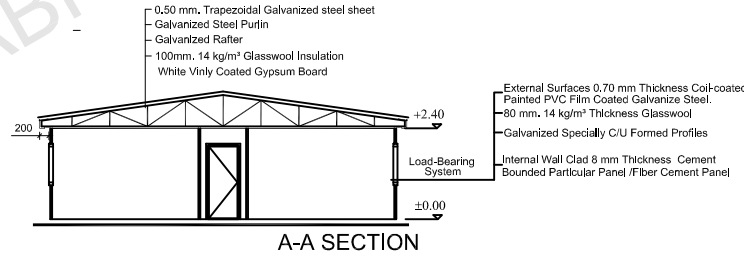
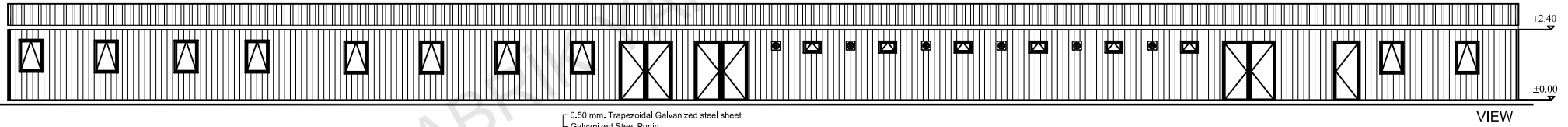
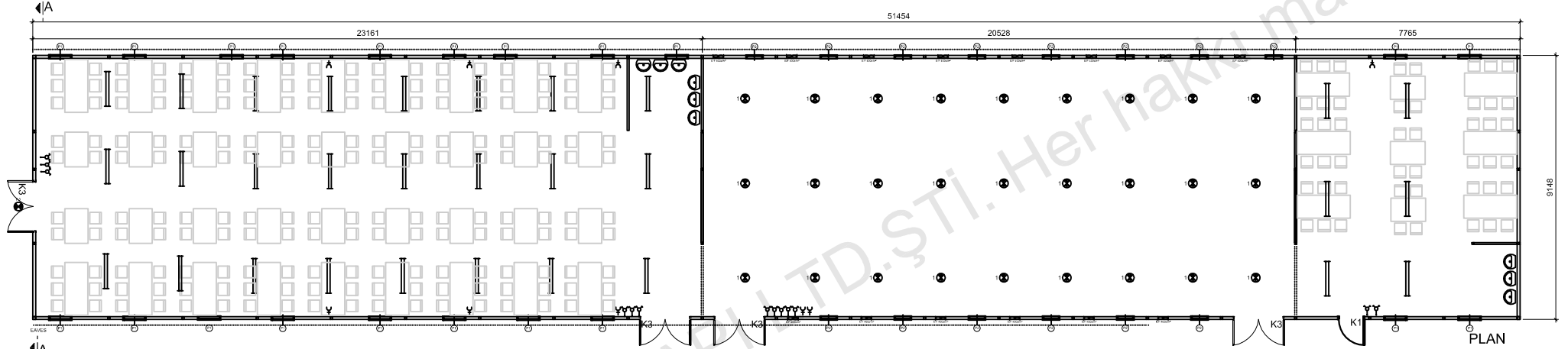
VIEW



A-A SECTION

<p>PREFABRİK YAPI END. BİLİŞİM ve TİCARET LTD.ŞTİ. Ankara - İstanbul Karayolu, 30. km Akıncı Kavşağı, Kazan 06980 Ankara Tel:+90(312) 815 49 75(Pbx) Fax:+90(312) 815 49 78 www.Prefi.com.tr e-posta: prefi@prefi.com.tr</p>	<p>ÇİZEN: DRAWN: E.Ç.</p>	<p>FİRMA /COMPANY: <b>1000 PER.CAMP</b></p>	<p>BASLIK /TITLE: <b>WC-SHOWER BULDING</b></p>	<p>m<sup>2</sup> 202.18m<sup>2</sup></p>
	<p>KONTROL: CHK:</p>	<p>TARİH/DATE:</p>	<p>REFERANS NO:</p>	<p>PROJE NO:</p>
<p>ONAYLAMA: APPROVAL: H.V.Y.</p>				

# 500 mancamp



0.50 mm. Trapezoidal Galvanized steel sheet  
Galvanized Steel Purlin  
Galvanized Rafter  
100mm. 14 kg/m<sup>3</sup> Glasswool Insulation  
White Vinyl Coated Gypsum Board

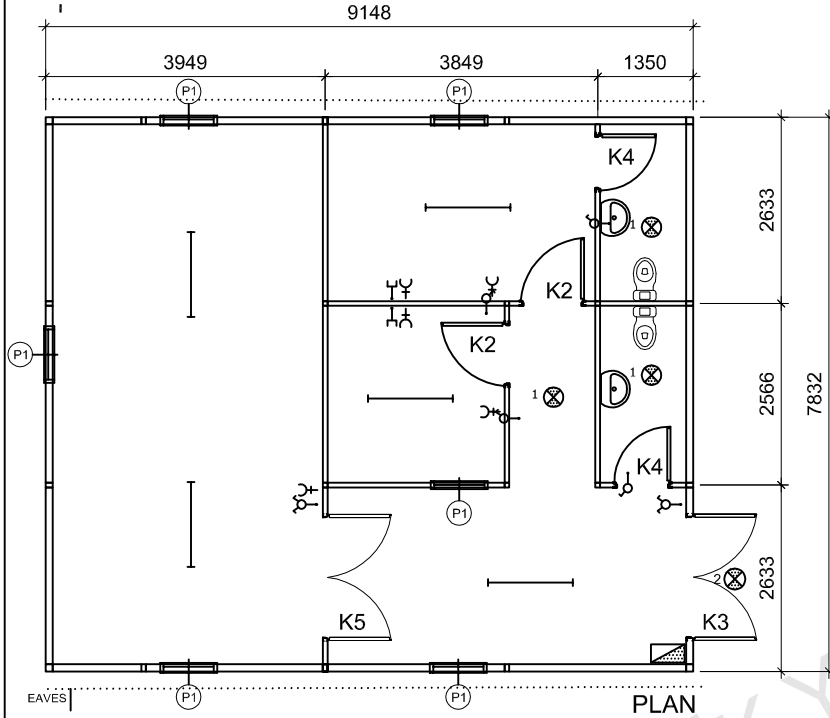
External Surfaces 0.70 mm Thickness Coil-coated  
Painted PVC Film Coated Galvanize Steel.  
80 mm. 14 kg/m<sup>3</sup> Thickness Glasswool  
Galvanized Specially CUI Formed Profiles  
Internal Wall Clad 8 mm Thickness Cement  
Bounded Particular Panel /Fiber Cement Panel

P1	WINDOW	800 X 1100
P2	WINDOW	600 X 400
K1	EX. DOOR	850 X 2000
K2	IN. DOOR	840 X 2000
K3	EX. DOOR	1700 X 2000
K4	WC DOOR	740 X 1990
K5	IN. DOOR	1700 X 2000
K6	EX. DOOR	1250 X 2000
K8	FENCE DOOR	750 X 2000

SWITCH	DOUBLE SWITCH
1 X 40 TMS ARMATURE	2 X 40 TMS ARMATURE
4 X 18 PARABOLIC ARMATURE	LATERAL EARTH SOCKET
TELEPHONE LINE	UPS
TV LINE	NETWORK LINE
C TYPE GLOBE	C-TYPE GLOBE WITH WIRE GUARD
220V/SURFACE MOUNTING FUSE BOX	SMOKE DETECTOR
ALL MEASURED IN MILLIMETERS	

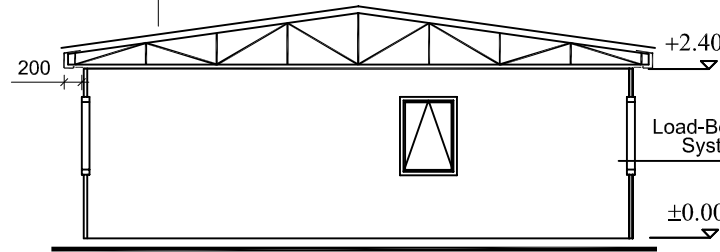
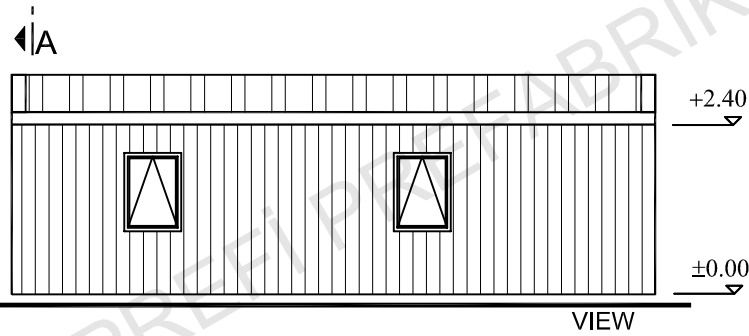
<h1>Prefi</h1> <p>PREFABRIK YAPI END. BİLİŞİM ve TİCARET LTD.ŞTİ. Ankara - İstanbul Karayolu, 30. km Akıncı Kavşağı, Kazan 06980 Ankara Tel:+90(312) 815 49 75(Pbx) Fax:+90(312) 815 49 78 www.Prefi.com.tr e-posta:prefi@prefi.com.tr</p>	<p>ÇİZEN: DRAWN: E.Ç.</p>	<p>FİRMA /COMPANY: <b>1000 PER.CAMP</b></p>	<p>BAŞLIK /TITLE: <b>HALL DINING</b></p>	<p>m<sup>2</sup> 470.70 m<sup>2</sup></p>
	<p>KONTROL: CHK:</p>	<p>TARİH/DATE:</p>	<p>REFERANS NO:</p>	<p>PROJE NO:</p>
<p>ONAYLAMA: APPROVAL: H.V.Y.</p>				

500 mancamp



- 0.50 mm. Trapezoidal Galvanized steel sheet
- Galvanized Steel Purlin
- Galvanized Rafter
- 100mm. 14 kg/m<sup>3</sup> Glasswool Insulation
- White Vinly Coated Gypsum Board

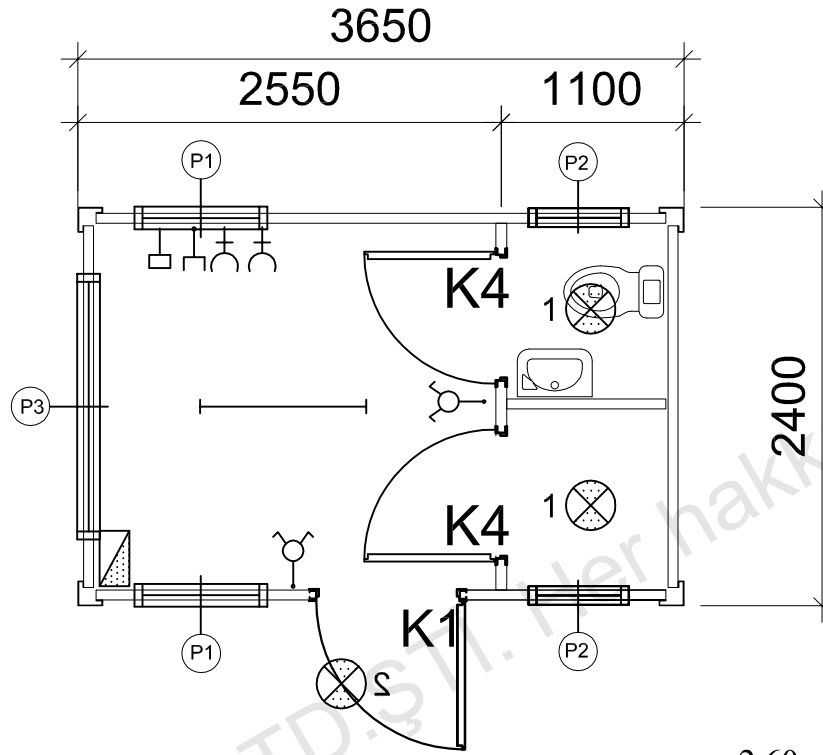
P1	WINDOW	800 X 1100
P2	WINDOW	600 X 400
K1	EX. DOOR	850 X 2000
K2	IN. DOOR	840 X 2000
K3	EX. DOOR	1700 X 2000
K4	WC DOOR	740 X 1990
K5	IN. DOOR	1700 X 2000
K6	EX. DOOR	1250 X 2000
K8	FENCE DOOR	750 X 2000
	SWITCH	
	DOUBLE SWITCH	
	1 X 40 TMS ARMATURE	
	2 X 40 TMS ARMATURE	
	4 X 18 PAROBOLIC ARMATURE	
	LATERAL EARTH SOCKET	
	TELEPHONE LINE	
	UPS	
	TV LINE	
	NETWORK LINE	
	C TYPE GLOBE	
	C TYPE GLOBE WITH WIRE GUARD	
	(220V)SURFACE MOUNTING FUSE BOX	
	SMOKE DEDECTOR	
ALL MEASURED IN MILLIMETERS		



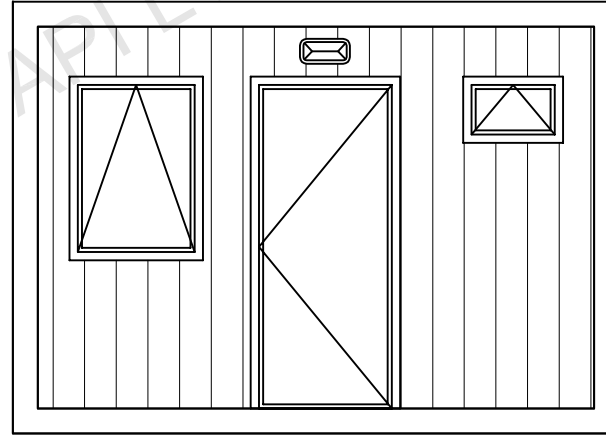
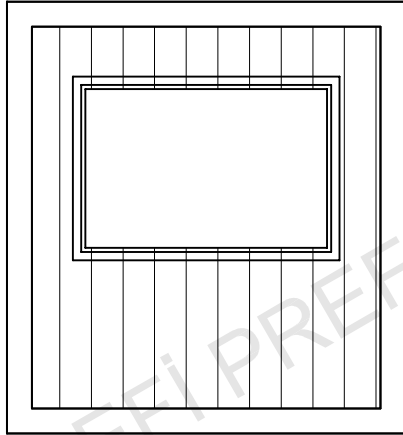
- External Surfaces 0.70 mm Thickness Coil-coated Painted PVC Film Coated Galvanize Steel.
- 80 mm. 14 kg/m<sup>3</sup> Thickness Glasswool
- Galvanized Specially C/U Formed Profiles
- Internal Wall Clad 8 mm Thickness Cement Bounded Particular Panel /Fiber Cement Panel

<b>Prefi</b> PREFABRİK YAPI END. BİLİŞİM ve TİCARET LTD.ŞTİ. Ankara - İstanbul Karayolu, 30. km Akıncı Kavşağı, Kazan 06980 Ankara Tel:+90(312) 815 49 75(Pbx) Fax:+90(312) 815 49 78 www.Prefi.com.tr e-posta: pref@prefi.com.tr	CİZEN: DRAWN:	FİRMA /COMPANY: <b>1000 PER.CAMP</b>	BASLIK /TITLE: <b>DOCTOR</b>	m <sup>2</sup>
	KONTROL: CHK:	TARİH/DATE:	REFERANS NO:	PROJE NO:
ONAYLAMA: APPROVAL: H.V.Y.			SAYFA /PAGE:	71.64 m <sup>2</sup>

4 UNITS  
500 mancamp



P1	WINDOW	800 X 1100
P2	WINDOW	600 X 400
K1	EX. DOOR	850 X 2000
K2	IN. DOOR	840 X 2000
K3	EX. DOOR	1700 X 2000
K4	WC DOOR	740 X 1990
K5	IN. DOOR	1700 X 2000
K6	EX. DOOR	1250 X 2000
K8	FENCE DOOR	750 X 2000
	SWITCH	
	DOUBLE SWITCH	
	1 X 40 TMS ARMATURE	
	2 X 40 TMS ARMATURE	
	4 X 18 PARABOLIC ARMATURE	
	LATERAL EARTH SOCKET	
	TELEPHONE LINE	
	UPS	
	TV LINE	
	NETWORK LINE	
	C TYPE GLOBE	
	C TYPE GLOBE WITH WIRE GUARD	
	(220V) SURFACE MOUNTING FUSE BOX	
	SMOKE DEECTOR	
ALL MEASURED IN MILLIMETERS		



**P r e f i**  
PREFABRİK YAPI END. BİLİŞİM ve TİCARET LTD.ŞTİ.  
Ankara - İstanbul Karayolu, 30. km  
Akıncı Kavşağı, Kazan 06980 Ankara  
Tel: +90(312) 815 49 75 (Pbx) Fax: +90(312) 815 49 78  
www.Prefi.com.tr e-posta: pref@prefi.com.tr

ÇİZEN: E.Ç.  
KONTROL: CHK.  
ONAYLAMA: H.V.Y.  
APPROVAL:

FİRMA / COMPANY:  
**1000 PER.CAMP**

TARİH/DATE:

BASLIK / TITLE:  
**SECURITY CONTAINER**

m<sup>2</sup>

8.76 m<sup>2</sup>

REFERANS NO:

PROJE NO:

SAYFA / PAGE: